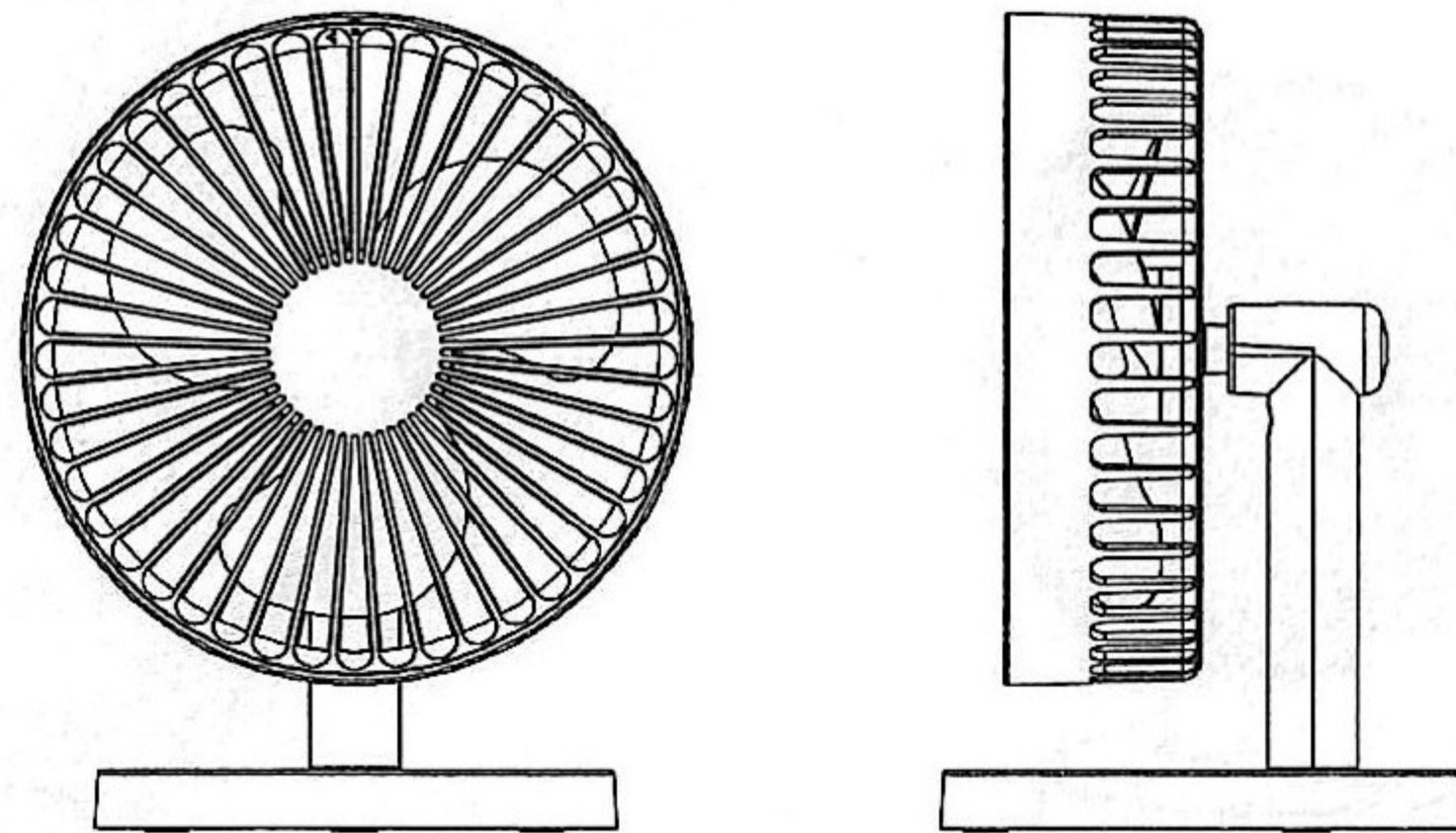


## 5.5-Inch Rechargeable USB Desk Fan

Model:FO-MF01WHT/FO-MF01BLK  
FO-MF01CRL/FO-MF01BLU

### IMPORTANT SAFETY INSTRUCTIONS

PLEASE READ AND SAVE THE SAFETY  
INSTRUCTIONS BEFORE USING THE FAN



### ⚠ WARNING

- To reduce the risk of personal injury, the fan should not be used where children can reach easily. Close supervision is necessary when any electrical appliance is used near children.
- Do not operate the fan in the presence of explosive and /or flammable fumes.
- Do not operate the fan if the product malfunctioned, dropped or damaged with any manner.
- To protect against electrical shock, do not use near a window immersed or spray with liquid.
- Only allowed indoors when using the fan with AC adapter(not included).
- Only allowed to use with the adapter rated as : output voltage of 5V and current 1A to avoid personal injury or property damage.
- Do not insert fingers or other objects into the fan grille.

### ⚠ CAUTION

- Do not disassemble the fan.
- The installed li- ion battery is not replaceable.
- Do not use the fan in malfunction or damage status.
- Injury or damage maybe caused due to the grille disassembled.

## INSTRUCTIONS FOR USE

- Please use an UL listed adapter with a rated output voltage of 5V and current of 1A when need to use USB cord with adapter.
- To select speed, please press switch on fan top side to choose : 3 High/2 Middle/1 Low speed.
- If the fan does not work, please check if the li-ion battery is with enough power or not.  
How to check the power status:  
When the fan doesn't work, press the switch button.It means lack of power if the indicator light flashing 3 times continuously. Please charge in time.
- Charging time instruction.

1. When the fan in OFF state,

The battery fully charged time will be around 5-6 hours.

2.When the fan works in speed 1 or 2,

The battery fully charged time will be around 5-6 hours.

3.When the fan works in speed 3,

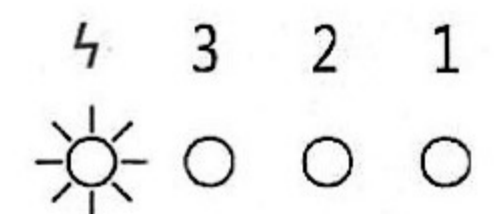
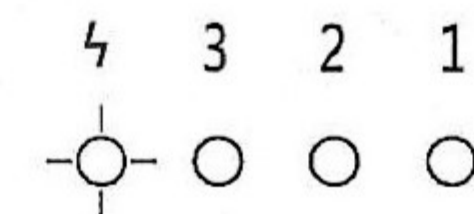
The battery fully charged time will be around 25 hours.

- How to charge the li-ion battery installed of the fan:  
Connect the USB cord micro plug to the fan base port and connect the other side to the AC adapter.

Indicator light directions:

Charging : Indication light flashing

Charging Done : Indicator light keeping "On"





## PRODUCT NOTE

- Please turn off the fan when not in use.
- If the fan will not be used for a long time please full charge it once every three months.
- There are no user-serviceable parts in this product.
- Please use a soft damp cloth to gently wipe clean the fan. Do not immerse.
- Grille can be removed to clean the blade.

How to remove the grille:

Anti-clockwise rotation the grille. Grille can be removed to clean the blade when click voice heard.

How to assemble the grille:

Please install the grille according to the original disassemble position. Clockwise rotation. When a click heard, two dots are aligned and the assembly is completed.

## TROUBLE SHOOTING

If the fan does not operate, check if the Li-ion battery is with enough power.

If the fan does not operate with AC adapter, check if the fan is turned ON, and the plug is fully inserted into the jack. The wall receptacle is powered ON as well or not.

## ⚠ WARNING

- This device complies with Part 15 of the FCC Rules . Operation is subject to the following two conditions: (1) this device may not cause harmful interference, and (2) this device must accept any interference received, including interference that may cause undesired operation. (3) Imported by Walmart Inc, Bentonville, AR72716. [www.walmart.com](http://www.walmart.com)
- Please note that changes or modifications not expressly approved by the party responsible for compliance could void the user's authority to operate the equipment.

NOTE: This equipment has been tested and found to comply with the limits for a Class B digital device, pursuant to Part 15 of the FCC Rules. These limits are designed to provide reasonable protection against harmful interference in a residential installation. This equipment generates, uses and can radiate radio frequency energy and, if not installed and used in accordance with the instructions, may cause harmful interference to radio communications. However, there is no guarantee that interference will not occur in a particular installation. If this equipment does cause harmful interference to radio or television reception, which can be determined by turning the equipment off and on, The user is encouraged to try to correct the interference by one or more of the following measures:

- -Reorient or relocate the receiving antenna.
- -Increase the separation between the equipment and receiver.
- -Connect the equipment into an outlet on a circuit different from that to which the receiver is connected.
- -Consult the dealer or an experienced radio/TV technician for help.

## 5.5-Inch Rechargeable USB Desk Fan

